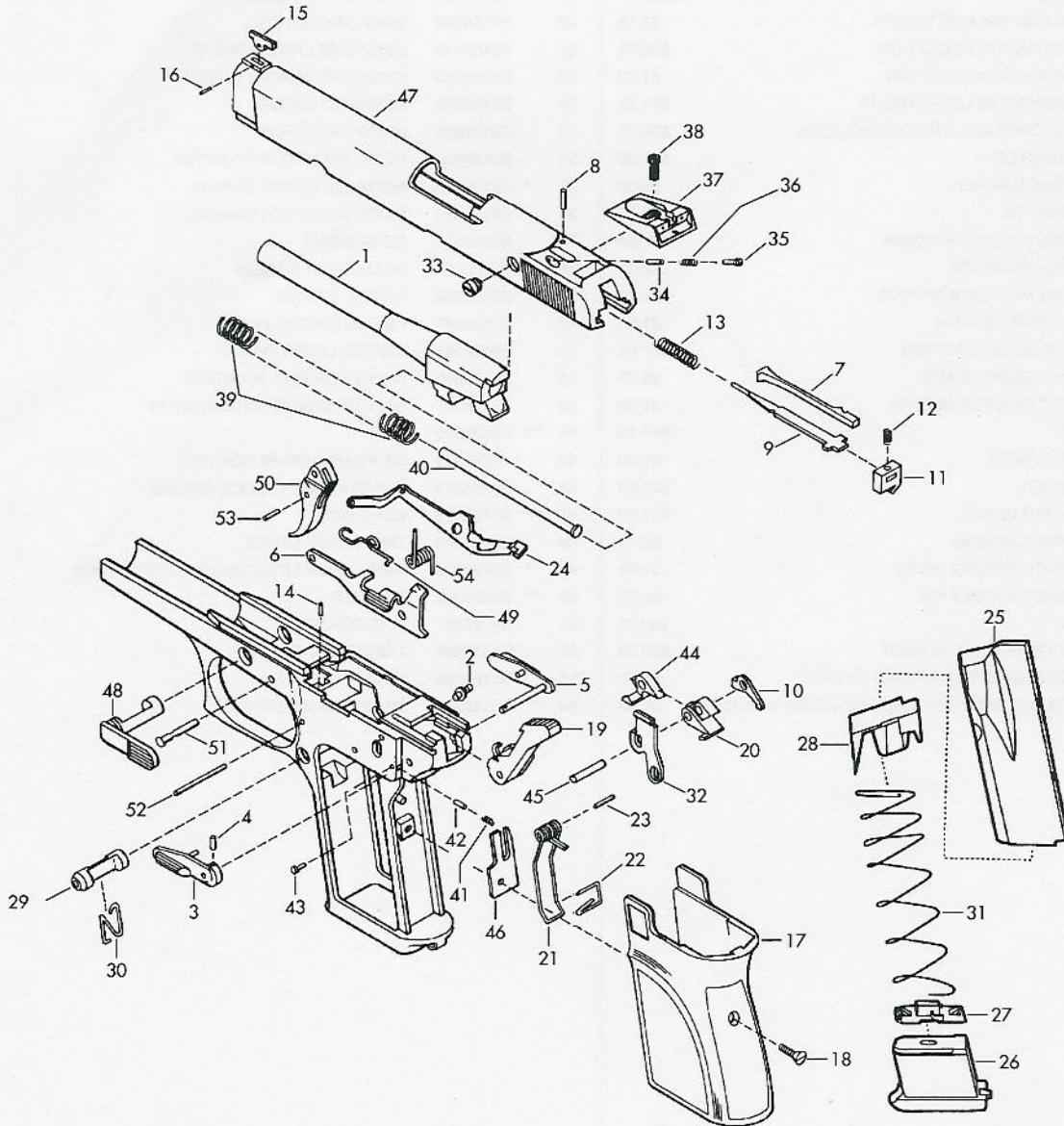


BDM 9MM

BDM 9MM



NOTE: WHEN ORDERING PARTS YOU MUST USE THE PART NUMBER AND NOT THE REFERENCE NUMBER.